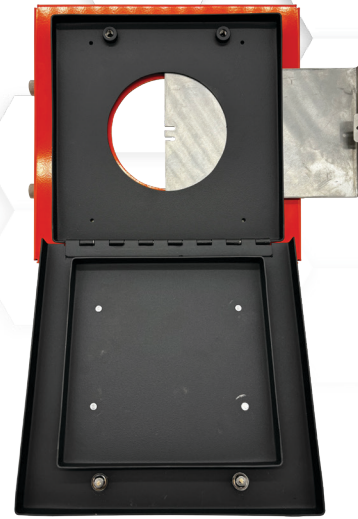


### Overview

The CAP-HT-100-P Gold Cup Inspection Windows are precision-engineered for extremely high-temperature applications, withstanding surface temperatures up to 1832°F (1000°C). These windows are especially suitable for furnace-related environments. The window is designed for high temperatures and is compatible with Gold Cup Pyrometers, allowing accurate temperature monitoring. The design ensures equipment stays enclosed during the inspection and prevents potential exposure to high temperatures, reinforcing the safety of maintenance personnel and the equipment in which the windows are fitted.



### Key Features



#### Extreme High-Temperature Applications

Engineered for extremely high-temperature applications, withstanding surface temperatures up to 1832°F (1000°C).



#### Durable and Rugged

Constructed with a 100% stainless steel high temperature powder coated body.



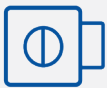
#### Closed Furnace / Oven Inspections

Designed to prioritize and ensure equipment stays enclosed during the inspection to prevent exposure to high temperatures.



#### Extreme Temperature Tolerance

The high-temperature powder-coated stainless steel body and NovaMica HiTemp gasket ensure reliable performance in harsh environments.



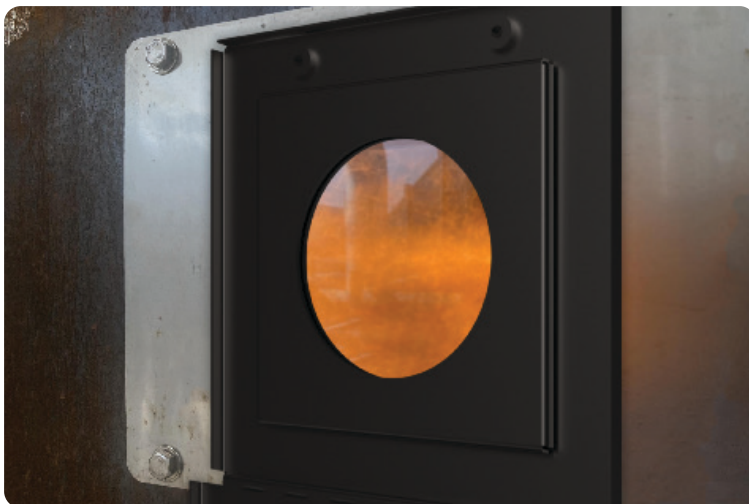
#### Stainless Steel Dust-Free Covers

Sliding stainless steel dust covers protect the inspection window from dust and debris buildup, ensuring a clear view and maintaining optimal performance in harsh environments.



#### Limited Lifetime Warranty

The IRISS limited lifetime warranty provides unparalleled protection against manufacturer defects.

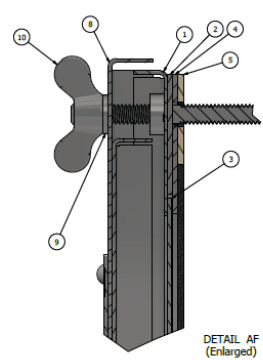
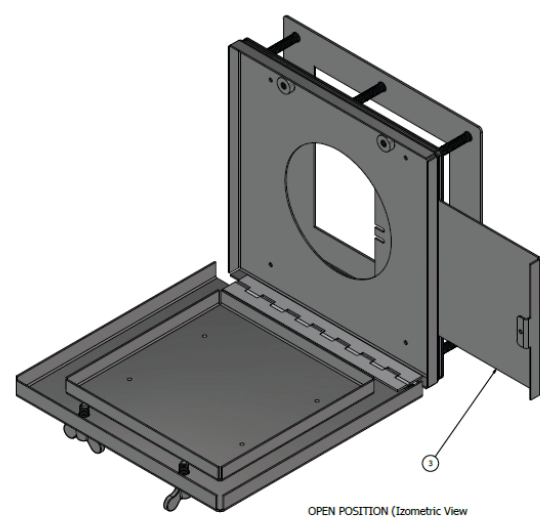
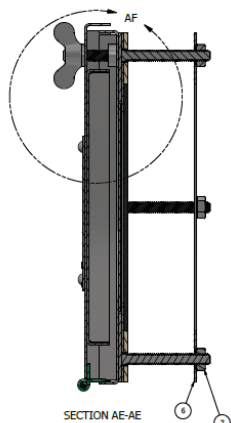
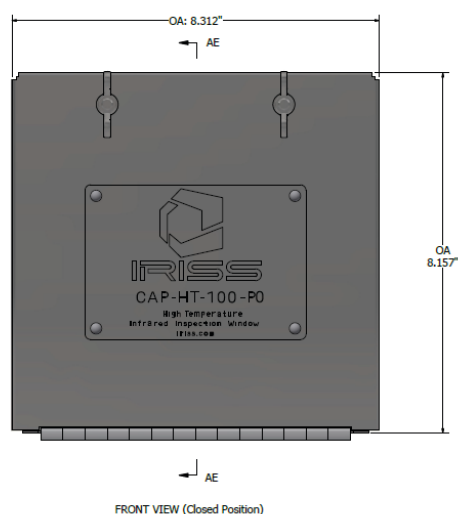


# Specifications

Model	CAP-HT-100-P
<b>General Specifications</b>	
Overall Height	21.33 cm (8.399 in)
Overall Width	21.11 cm (8.312 in)
Operating Temperature	Surface Temperature -40°C (-40°F) to 1832°F (1000°C)
Body Material	High Temperature Powder Coated Stainless Steel
Gasket Material	NovaMica HiTemp
Hardware Material	Stainless Steel
<b>Optic Specifications</b>	
Viewing Aperture Diameter	10.2 cm (4.0 in) Ø
Optic Material	Port Hole
<b>Inspection Capabilities and Applications</b>	
Gold Cup Inspection; High Temperature Applications	
<b>Other</b>	
Warranty	Limited Lifetime Warranty

\*Caution: These dimensions are not installation dimensions. Do NOT cut prior to receiving your IRISS IR window and installation template.

Specifications are subject to change without notice. For the most up-to-date specs, go to [www.iriss.com](http://www.iriss.com)



ITEM	PART NUMBER	DESCRIPTION	MATERIAL	THICKNESS	QTY	NOTES
1	CAP-HT-100-PO-00	FRONT PLATE ASSEMBLY	Stainless Steel	0.050"	1	
2	CAP-HT-100-11	U-PLATE	Stainless Steel	0.063"	1	
3	CAP-HT-100-14	DUST COVER	Stainless Steel	0.050"	1	
4	CAP-HT-100-00	TRICKLE PLATE ASSEMBLY	Stainless Steel	0.050"	1	
5	CAP-HT-100-08	OUTER GASKETS	Polyethylene, High Density	0.075"	1	
6	CAP-HT-100-09	INNER GASKETS	Stainless Steel	0.063"	1	
7	100750	ESP LOCKWASHER 1/4-20	Stainless Steel	0.050"	8	
8	CAP-HT-100-PO-02	DOOR ASSEMBLY	Stainless Steel	0.050"	1	
9	100757	0.500" x 0.315" x 0.15" WASHER	Stainless Steel	0.050"	2	
10	100756	1/4-20 x 0.75" Winghead ThumbScrew	Stainless Steel	0.050"	2	

Revised	BY	DATE	APPROV	DATE
 10000 Technology Terrace Bradenton, Florida 34211 Phone: (941) 907-9128 Web: www.iriss.com Fax: (941) 907-9128 Email: info@iriss.com				
TITLE: High Temp IR Window (Port Only)				
PART #: CAP-HT-100-PO-00-00				
WHOLE ASSEMBLY (Open Position)				
THICKNESS: 0.050"	MATERIAL: SS	Color: Black Texture (#100752)		
DOCUMENT CONTROL: ID RELEASE FOR FABRICATION CONTROL COPY				
ENGINEER:	CUSTOMER: IRISS	Part Size: 1 - 1	Qty: 1	REV: 1
DRAWN: af	CHVD: [Signature]	APP'D: [Signature]	DATE: 10/29/2024	SHEET: 1 OF 1

North America (HQ)  
+1 (941) 907-9128

EMEA  
+44 (0) 843-507-0099

MENA  
+974 399 24 0 24

LATAM  
+1 (941) 704-4445

APAC  
+1 (941) 704-4445

India  
+91 22 4969 0921



[www.iriss.com](http://www.iriss.com)

# CAP-HT-P Series Material Safety Data Sheet

## MATERIAL SAFETY DATA SHEET – 11 SECTIONS

SECTION 1 - PRODUCT INFORMATION	
Product Name	CAP-HT-P Series Inspection Windows
Product Use	High Temperature Gold Cup Inspection
Physical Mailing Address	10305 Technology Terrace, Bradenton, Florida 34211 USA
Emergency Contact	IRISS HQ, (941) 907-9128
SECTION 2 – COMPONENT PROPERTIES	
Window Body	Stainless Steel, Non-reactive, Melting Point is Between 1400-1450°C
Window Hardware	Stainless Steel, Non-reactive, Melting Point is Between 1371-1399°C
Coating	ODAI Powder Coating HT003, Non-Reactive, No Combustible or Organic Components, 100% Silicon, Silicon Melting Point is 1414°C
Gasket	NovaMica HiTemp, Non-reactive, Melting Point is a Minimum of 1000°C
Lens	-
SECTION 3 – PHYSICAL DATA	
Physical State	Solid, no Gases or Liquids Present
What Happens Under a Variety of Circumstances	This Product is Non-Reactive and Rated From -200-1000°C With no Adverse Changes
Flammability and How to Extinguish	This Product is Inflammable
SECTION 4 - HAZARDOUS INGREDIENTS	
Ingredients	There Are no Hazardous Ingredients in This Product.
SECTION 5 – FIRE AND EXPLOSION DATA	
Will it Ignite or Explode and How to Deal With it	This Product is Not Flammable or Explosive
How Stable is This Product	This Product Will Remain in its Exact State From -200-1000°C
How it Reacts Under Various Conditions	This Product is Non-Reactive
SECTION 6 – TOXICOLOGICAL PROPERTIES	
Exposure Limits. In Summary, Immediate, and Long Term Effects to The Human Body	There Are no Toxic Parts Used in This Product
SECTION 7 – REACTIVITY DATA	
Incompatibility With Other Substances	N/A
Hazardous Decomposition Products	N/A
Information About How The Product Affects and Enters The Body	N/A
SECTION 8 – PREVENTATIVE MEASURES	
Personal Protective Equipment	Be cautious when interacting with this product as it will achieve the same temperature as the object that the window is installed upon when it reaches thermal equilibrium. Use an opening device or appropriately high temperature rated gloves when opening or closing the window.
SECTION 9 – FIRST AID MEASURES	
Information For Immediate First Aid Treatment	This product is nonhazardous, but if the installation environment causes the window to be hot and you are burned when interacting with it then seek the appropriate first aid treatment depending on the severity of the burn and contact a doctor or seek appropriate medical care.
SECTION 10 – NOTES	
Notes	This product is intended to be used in applications where the maximum temperature of the installation surface is 1000°C. The process that is being monitored can be in excess of 1000°C, however the maximum recommended temperature of the surface the window will be affixed to is 1000°C.
SECTION 11 – PREPARATION INFORMATION	
Preparers Name	Joshua Robinson
Physical Mailing Address	10306 Technology Terrace, Bradenton, Florida 34211 USA
Contact Number	(941) 907-9128 ext. 2116

North America (HQ)  
+1 (941) 907-9128

EMEA  
+44 (0) 843-507-0099

MENA  
+974 399 24 0 24

LATAM  
+1 (941) 704-4445

APAC  
+1 (941) 704-4445

India  
+91 22 4969 0921



[www.iriss.com](http://www.iriss.com)